

## INSTALLATION MANUAL UNIMI-1BASE ECO PLASTIC™

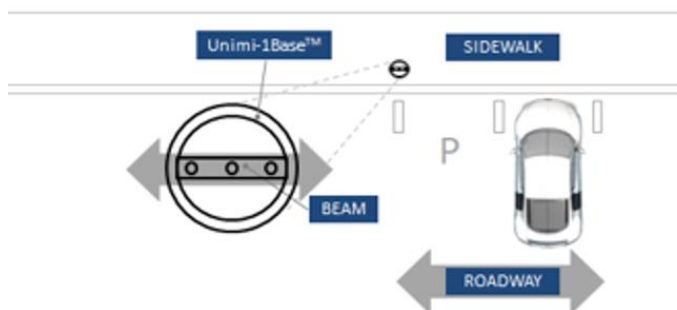
**Unimi-1Base ECO Plastic™ pre-cast foundation with adaptor for EV charging station anchoring**



## INSTALLATION MANUAL UNIMI-1BASE ECO PLASTIC™

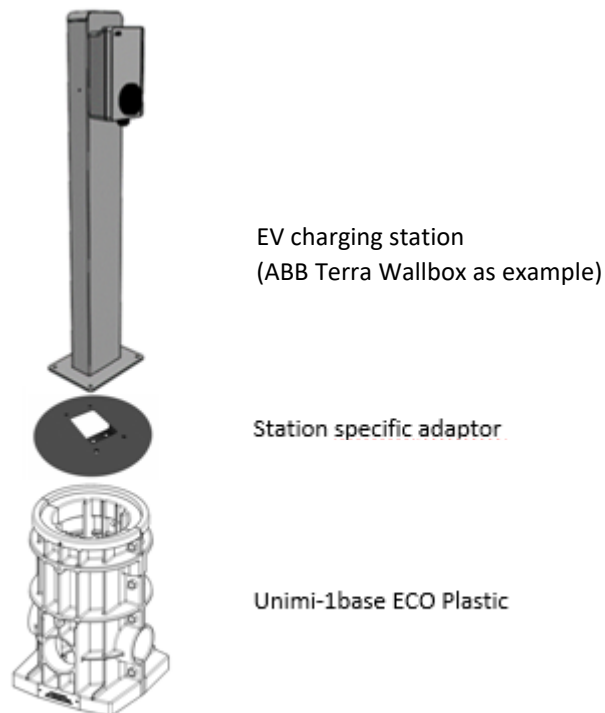
- The Unimi-1Base ECO Plastic™ foundation is designed for anchoring of EV charging stations in the ground, predominantly in the outdoor public environment.
- This installation manual serves as guidelines and function alongside any local building codes. If in conflict, the local building codes supersede these instructions.
- The foundation is equipped with 4x110 mm (4 inch) cable conduit inlets positioned in 90-degree angles from one another allowing easy multiple cable entry. Unused entry holes shall be covered with the supplied plastic conduit covers.
- The foundation needs to be placed in a cavity large enough so that the excavated ground masses can be trampled/vibrated both underneath and on the sides of the foundation. Ensure that the masses are packed thoroughly so that they fill the compartments of the foundation ensuring a stable installation result.
- Recommended min cavity dimensions are 800x800x800 mm depending on ground stomp/vibrator used. (Please refer to foundation specs at the last page of this manual)
- It is further recommended that the surrounding masses are of self-draining material such as mixed stone gravel or macadam with packable characteristics.
- The top of the foundation shall be flush with the final ground surface level, allowing pedestrians and lighter traffic to pass over it without the foundation constituting a tripping or driving hazard if the foundation is installed in “dormant” mode with a manhole cover over it. (Manhole cover supplied separately)

Orientation of the foundation member and metal beam  
[view from above]



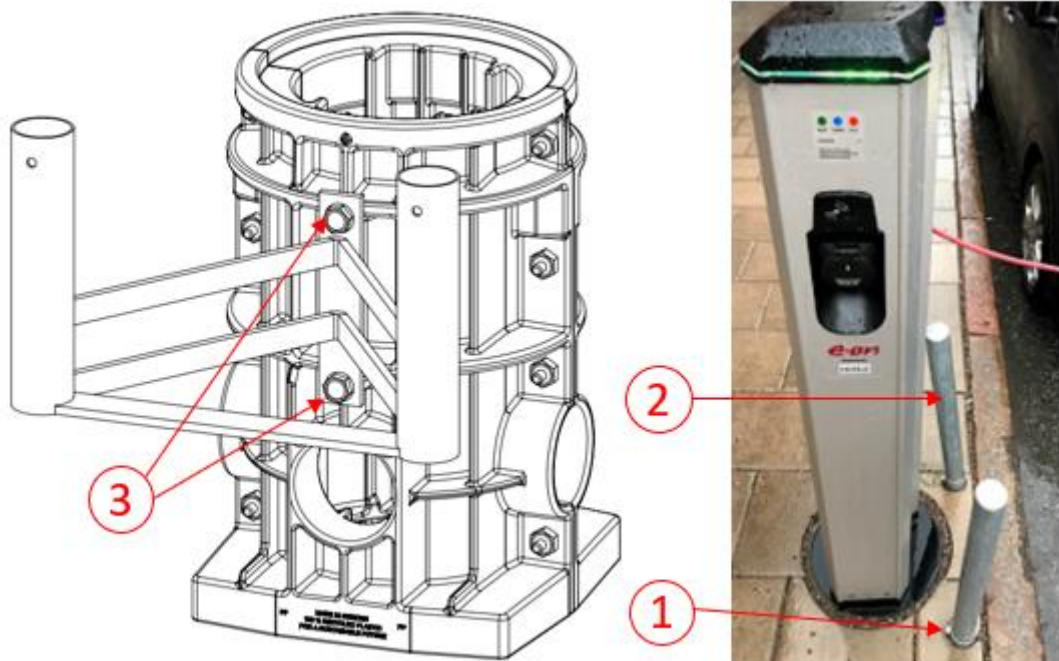
## INSTALLATION MANUAL UNIMI-1BASE ECO PLASTIC™

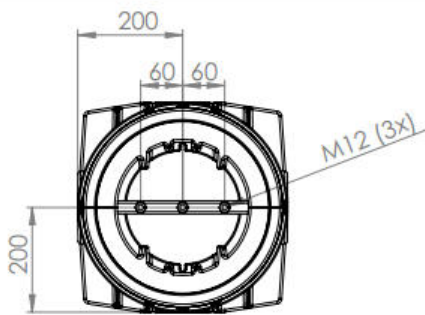
- Suggested orientation of the attaching beam inside the foundation is according to the picture on previous side
- Most adaptors will be fastened using only one center screw (M12x90 mm) making the adaptor rotatable at the foundation top, however if larger charging stations are anchored all three attachment points might be needed and then the orientation of the beam will become important
- Before attaching the station specific adaptor, make sure that the foundation rim is clear of any small gravel that might make the adaptor wiggle after installation
- Attach the adaptor with the accompanying M12x90 mm screw(s) (1-3 pcs) thru the bracket of the adaptor into the beam inside of the foundation
- Maximum torque on the screw is 18 Nm. Greater torque will start to deform the bracket which is part of the patented functionality serving as a protection to keep the position of the foundation intact in the ground in case of any vehicle driving into the charging station.
- The below picture serves as a conceptual drawing – the adaptor and EV charging station dimensions may vary depending on station manufacturer



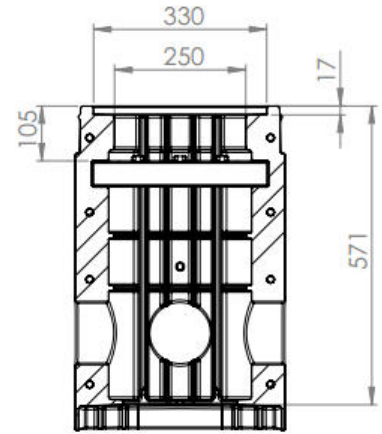
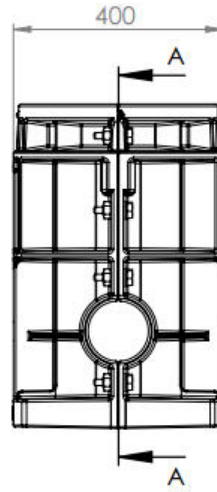
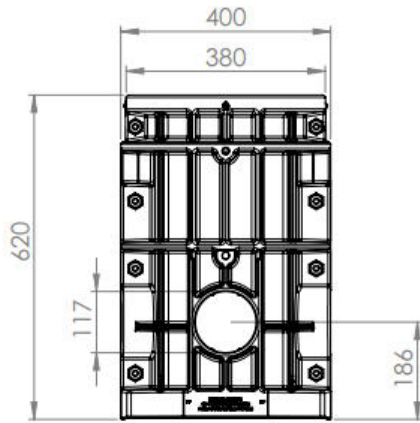
## INSTALLATION MANUAL UNIMI-1BASE ECO PLASTIC™

- If optional integrated Unimi-1base ECO Plastic crash protections are part of the installation, these shall be installed so the pervading screws (1) of the bollards are just above ground level. This to ensure easy switch of damaged poles (2) in case of any vehicle crashing into it
- Unimi-1Bse ECO Plastic has pre-drilled holes used as attachment points for the crash protection (3)

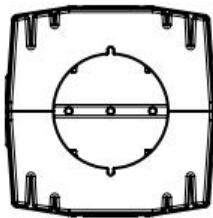




Parts	Weight [kg]
PP	15,75
Screws & nuts	1,45
Support beam	1,02
Total	18,22



SECTION A-A



Date: 2020-09-21 Revision: 00 Material: PP Editor: NS

Reference:

Fundament 600mm



A charging ready street in Reykjavik, Iceland showing 3 future proof, scalable, pre-prepared Unimi-1bases with crash protections. In the distance, two installed EV charging stations serving current EV charging demand